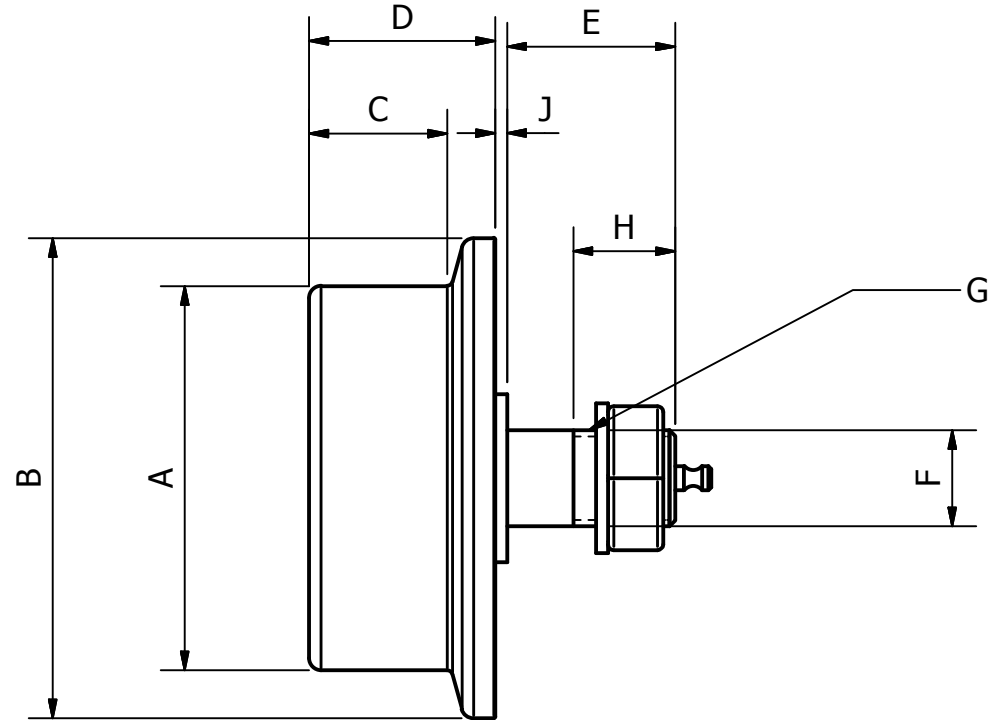


4 3 2 1



PLEASE FILL IN DIMENSIONS		
LETTER DESIGNATION	DESCRIPTION	DIMENSION
A	TREAD DIAMETER	
B	FLANGE DIAMETER	
C	TREAD WIDTH	
D	WHEEL WIDTH	
E	AXLE LENGTH	
F	AXLE DIAMETER	
G	AXLE THREAD	
H	THREAD LENGTH	
J	HUB LENGTH	

B

B


A

A

A

A

4 3 2 1

DRAWN jkm	4/18/2010	 GREY HUB[®] <i>A Division of Versa Handling Company</i>		
CHECKED				
QA		TITLE CUSTOM SINGLE FLANGE FLAT TREAD WHEEL		
MFG				
APPROVED				
		SIZE B	DWG NO	REV
		SCALE	SHEET 17 OF 17	