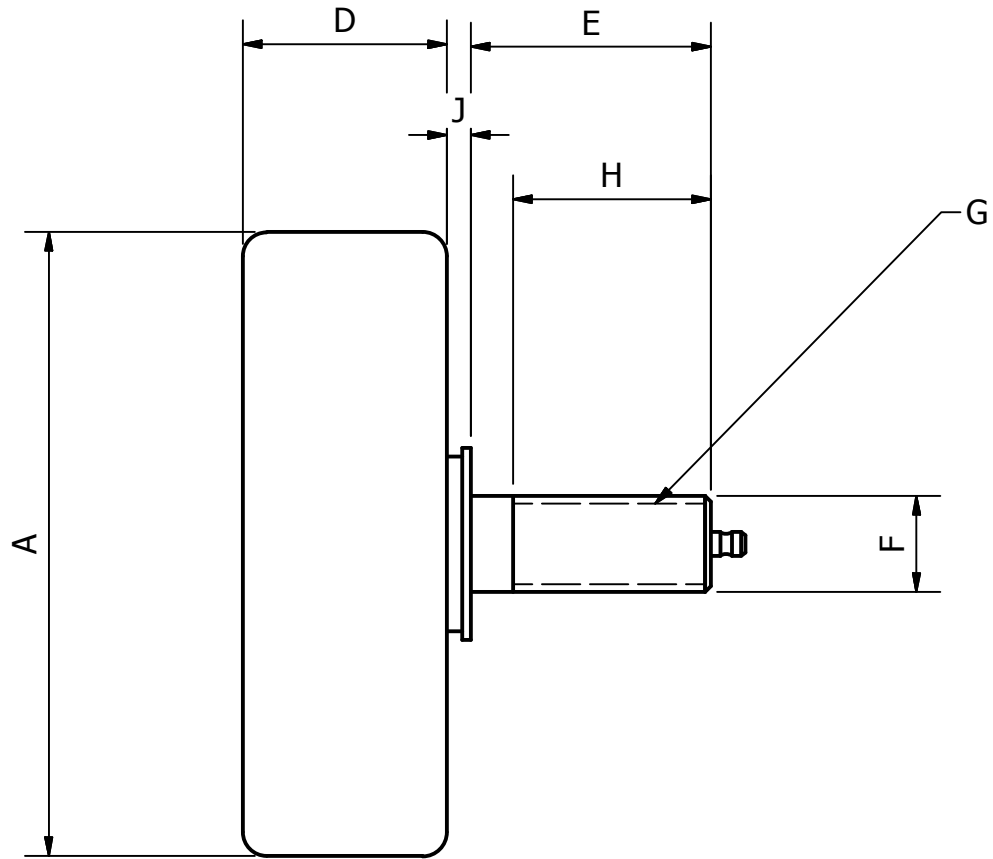



4 3 2 1



| WHEEL DIMENSIONS | | |
|--------------------|----------------|------------|
| LETTER DESIGNATION | DESCRIPTION | DIMENSIONS |
| A | TREAD DIAMETER | |
| D | WHEEL WIDTH | |
| E | AXLE LENGTH | |
| F | AXLE DIAMETER | |
| G | AXLE THREAD | |
| H | THREAD LENGTH | |
| J | HUB LENGTH | |

4 3 2 1

| | | | | |
|--------------|----------|---|--------------|-----|
| DRAWN jkm | 8/6/2010 |  GREY HUB ® <i>A Division of Versa Handling Company</i> | | |
| CHECKED | | | | |
| QA | | TITLE CUSTOM FLANGELESS FLAT TREAD WHEEL | | |
| MFG | | | | |
| APPROVED | | SIZE B | DWG NO | REV |
| | | SCALE | SHEET 3 OF 4 | |