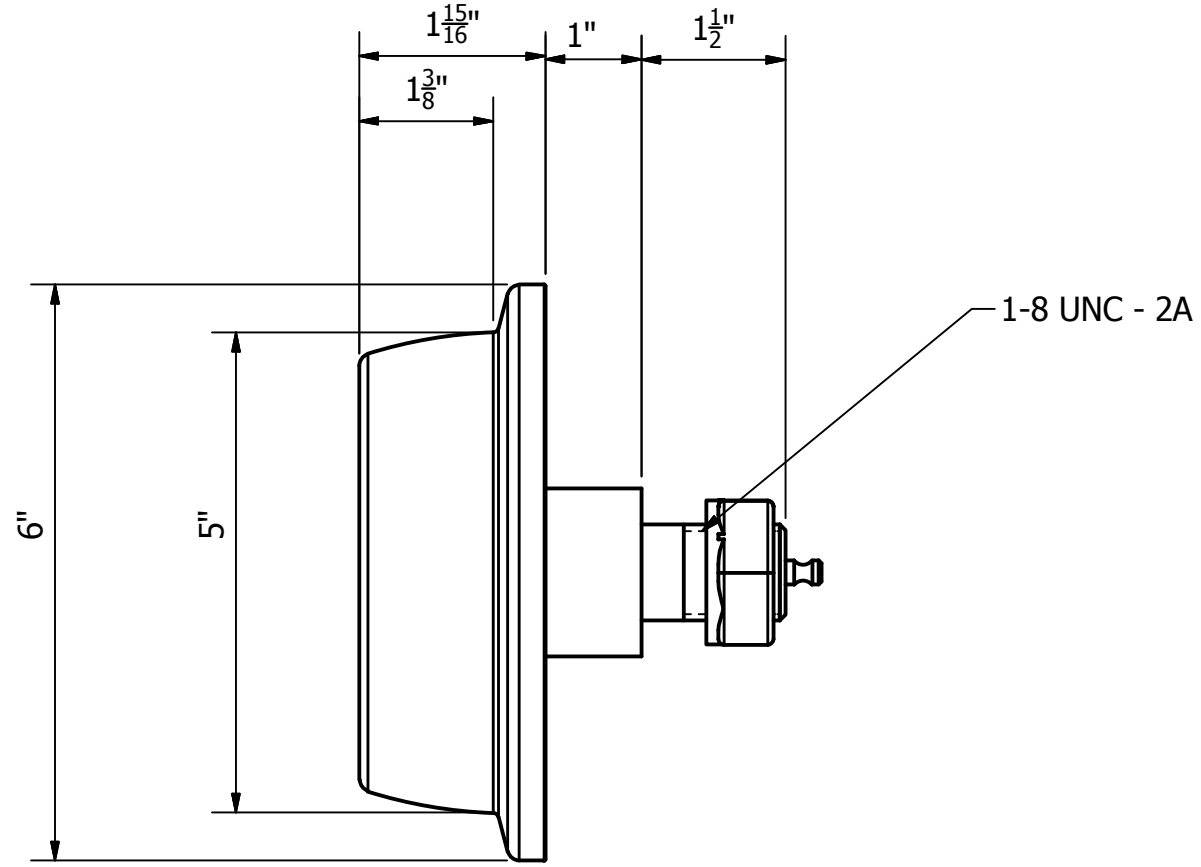



4 3 2 1



ID500CT600-1-112

DRAWN jkm	4/20/2010	 GREY HUB® <i>A Division of Versa Handling Company</i>		
CHECKED				
QA		TITLE		
MFG				
APPROVED				
		SIZE B	DWG NO	REV
			CROWN TREAD WHEELS	
		SCALE	SHEET 15 OF 17	

4 3 2 1